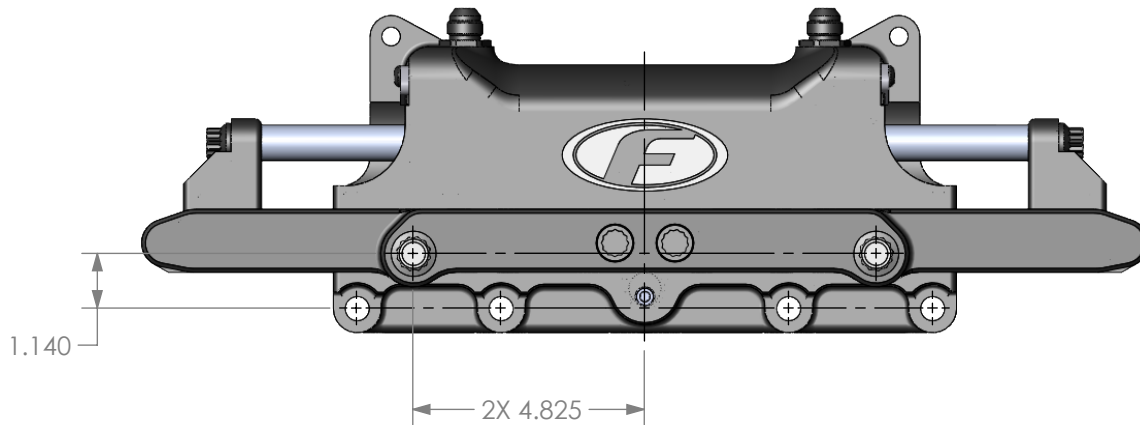
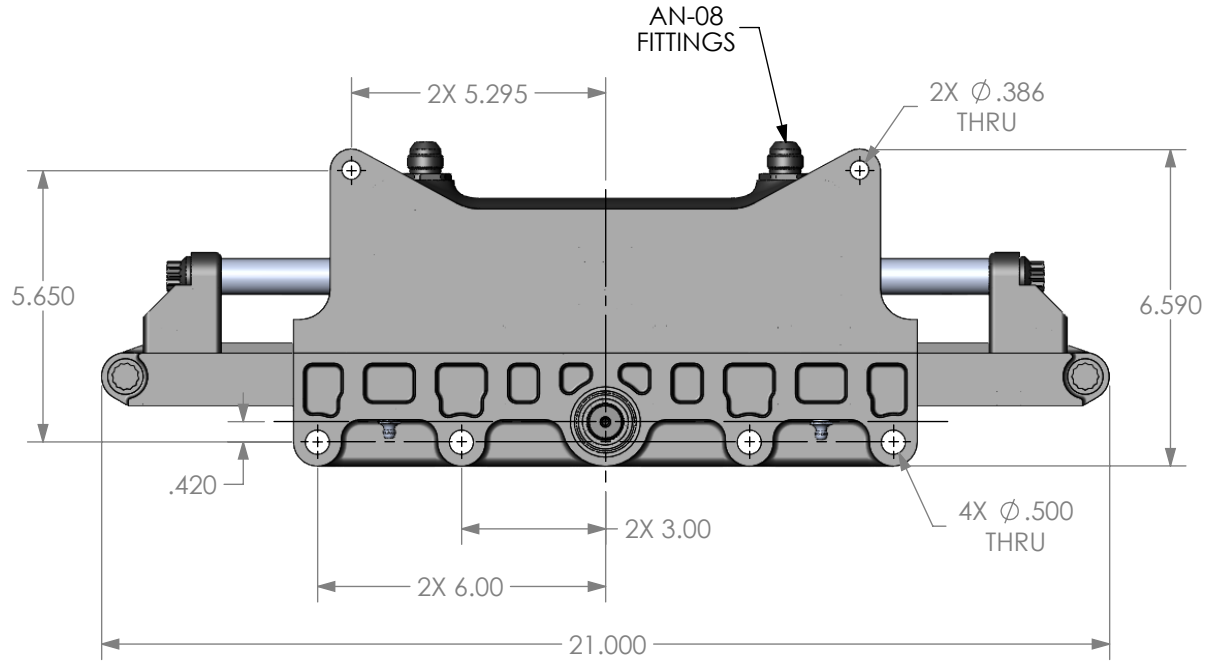
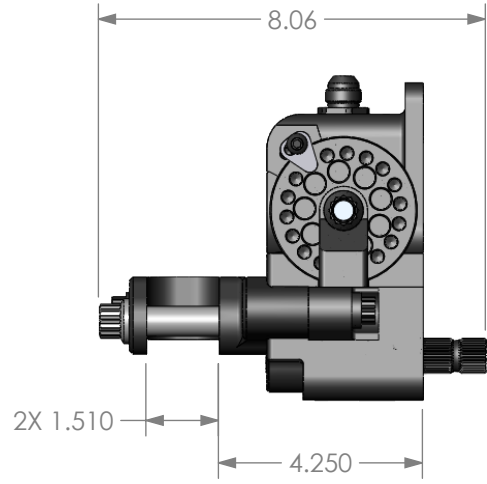


8 7 6 5 4 3 2 1

THE INFORMATION CONTAINED IN THIS DRAWING IS THE SOLE PROPERTY OF FORTIN RACING. ANY REPRODUCTION IN PART OR WHOLE WITHOUT THE WRITTEN PERMISSION OF FORTIN RACING IS PROHIBITED.

DWG. NO. FDA-PR3 2.75-6-10T



9422 Bond Avenue, El Cajon, CA 92021

**PR3 2.750 X 6.00" STROKE
POWER STEERING RACK**

DWG. NO.

FDA-PR3 2.75-6-10T

CAD FILE:

SHEET 1 OF 1

8 7 6 5 4 3 2 1