

ELECTRIC AIR CONDITIONER

Red Dot Model **R-1215**

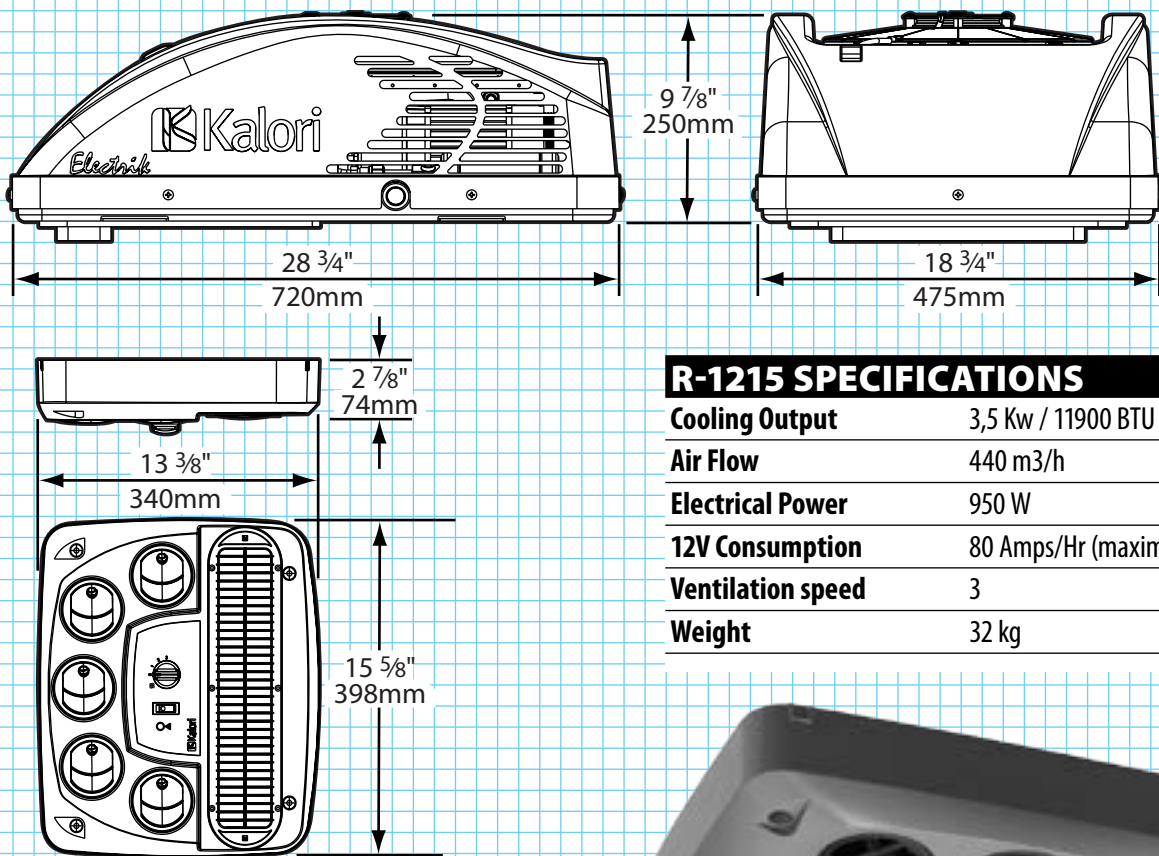
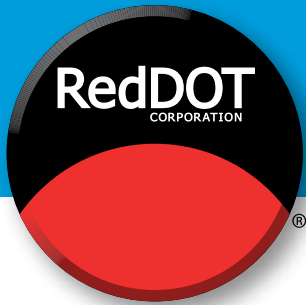
ROOFTOP

The R-1215 is a 12v electric A/C unit engineered for day cabs. This roof-mounted unit is self-contained, incorporating a condenser, compressor and evaporator core in a single unit.

R-1215



Red Dot now offers Kalori Elektrik 12V rooftop A/C units for on-road applications. With three blower speeds and five rotating air diffusers, the unit delivers cooling performance in the 11,900 BTU/ hr range. Note that it also draws up to 80 amps; the unit is designed to be used with the engine running and is not an engine-off system for heavy-duty cabs or sleepers.



R-1215 SPECIFICATIONS

Cooling Output	3,5 Kw / 11900 BTU
Air Flow	440 m3/h
Electrical Power	950 W
12V Consumption	80 Amps/Hr (maximum)
Ventilation speed	3
Weight	32 kg



A low profile plenum protrudes 3" into the cab and blends easily into the headliner leaving ample head room. 3 speed motor pushing high-velocity air can be directed 360 degrees through the five louvers.

1 square = 1"